



## VECTOR 4-STAGE PUMP

The HYTORC VECTOR pump stands alone as the fastest fully-automatic Hydraulic Power System thanks to its 4-stage high-flow design. Gauge-free operation allows the operator to simply enter the desired torque and HYTORC tool being used, eliminating the need for separate torque charts. The VECTOR's modular design makes it fully upgradeable - start with the manual, and upgrade to fully automatic documentation without buying a new pump. The fully automatic mode allows the operator to simply push the button and let the pump do all the work.

### MANUAL OR FULLY AUTOMATIC



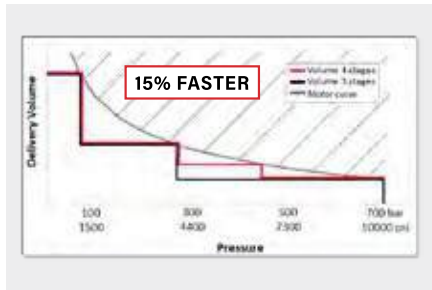
The HYTORC VECTOR is available in both manual and fully automatic. With its modular design the manual version can be upgraded to fully automatic as needed. The available documentation feature allows complete job data capture for the entire bolting operation.

### BOLTING DOCUMENTATION



The VECTOR pump is capable of being upgraded with a documentation feature that allows all bolting data to be recorded. Easily transfer the data via USB to a computer. A report is created and five file types (.txt, .html, .csv, .json, .rpe) are sent as a single package. Keep accurate records for better quality assurance.

### FAST 4-STAGE PUMP DESIGN



By adding a 4th pressure stage in the 4,000 to 7,000 psi range the VECTOR pump increases the flow of oil to the tool. This allows the tool to cycle faster, resulting in a 15% time savings over old 3-stage pumps.

# HYTORC GLOBAL-READY VECTOR PUMPS ARE READY TO WORK ANYWHERE IN THE WORLD.

- 9 PRE-LOADED LANGUAGES
- FT/LBS, NM, OR KPM
- PSI OR BAR
- F, C OR K TEMPERATURE READOUTS
- 115V, 230V OR 400V



## VECTOR PUMP PROTECTIVE CASE



The VECTOR Case helps protect your investment.



## VECTOR PUMP SCANNER



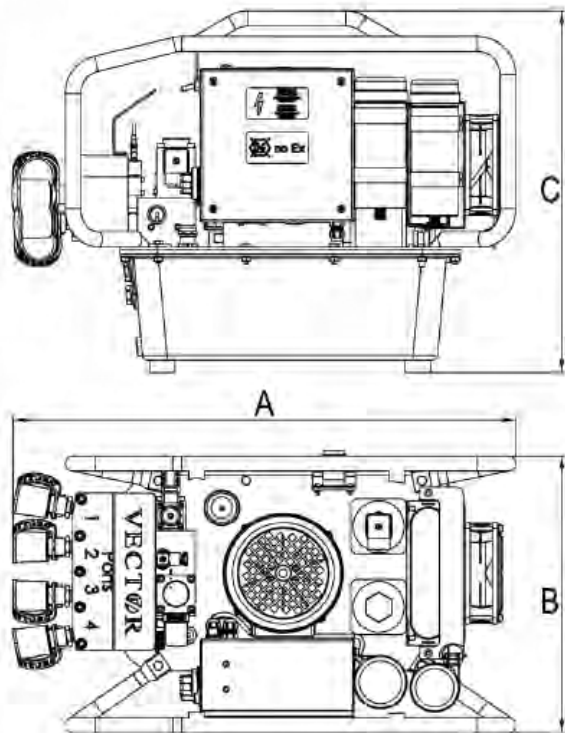
Enter job data quickly for fast setup.



**DESIGNED TO GROW WITH YOUR BUSINESS - UPGRADE, DON'T REPLACE**

Upgradable Base Model	4 Port Manual	1 Port Fully Automatic	4 Port Fully Automatic	Documentation (Add Software)	Torque & Angle	Bluetooth*
1 Port Manual VECTOR-T1	✓ VECTOR-T4	✓ VECTOR-FA1	✓ VECTOR-FA4	✓ VECTOR-FA1-DOC VECTOR-FA4-DOC	✓ VECTOR-FA1-TA	✓ VECTOR-FA1-DOC-BLU VECTOR-FA4-DOC-BLU
4 Port Manual VECTOR-T4		✓ VECTOR-FA1	✓ VECTOR-FA4	✓ VECTOR-FA4-DOC		✓ VECTOR-FA4-DOC-BLU
1 Port Fully Automatic VECTOR-FA1			✓ VECTOR-FA4	✓ VECTOR-FA4-DOC	✓ VECTOR-FA1-TA	✓ VECTOR-FA1-DOC-BLU VECTOR-FA4-DOC-BLU
4 Port Fully Automatic VECTOR-FA4				✓ VECTOR-FA4-DOC	✓	✓ VECTOR-FA4-DOC-BLU

\*Denotes future update.



**LEGEND:** A = 21.0" (520 mm) B = 12.8" (326 mm) C = 16.8" (426 mm)

**PUMP SPECIFICATIONS AND FEATURES**

<b>Power</b>	<b>115V:</b> 1Ph 90-125 / 60Hz <b>230V:</b> 1Ph 200-230V / 50+60Hz <b>400V:</b> 3Ph 400-460		
<b>Data Recording</b>	Optional		
<b>Gauge</b>	Digital		
<b>Reservoir Capacity</b>	2 gals / 7.5 l		
<b>Stages</b>	4		
<b>Weight</b>	79 lbs. / 36 kg		
<b>15' Remote Control:</b> Yes	<b>Oil Cooler:</b> Yes		
<b>Ports</b>	1 or 4		
<b>Maximum Oil Flow Rate</b> 1,000 PSI 70 bar	<b>HY-V-115 (60 Hz)</b> 610 cu.in./min. 10.0 l/min.	<b>HY-V-230 (50Hz)</b> 549 cu.in./min. 9.0 l/min.	<b>HY-V-400</b> 549 cu.in./min. 9.0 l/min.
<b>Middle Oil Flow Rate</b> 3,900 PSI 270 bar	<b>60 Hz</b> 171 cu.in./min. 2.8 l/min.	<b>50 Hz</b> 147 cu.in./min. 2.4 l/min.	<b>3Ph 400-460</b> 147 cu.in./min. 2.4 l/min.
<b>Middle + Oil Flow Rate</b> 6,300 PSI 440 bar	<b>60 Hz</b> 110 cu.in./min. 1.8 l/min.	<b>50 Hz</b> 85 cu.in./min. 1.4 l/min.	<b>3Ph 400-460</b> 85 cu.in./min. 1.4 l/min.
<b>High Oil Flow Rate</b> 10,000 PSI 700 bar	<b>60 Hz</b> 67 cu.in./min. 1.1 l/min.	<b>50 Hz</b> 55 cu.in./min. 0.9 l/min.	<b>3Ph 400-460</b> 55 cu.in./min. 0.9 l/min.

**COMPLETE KIT CONTENTS**

- VECTOR Pump
- 15' Twin Line Hose
- 2 gallons / 7.5 l of oil

HYTORC owns all content, copyrights, trademarks and patents in this document. © 2020 HYTORC. Any unauthorized use or distribution of any material from this document is strictly prohibited.



**ADVANCED BOLTING SOLUTIONS PVT. LTD.**

**HO:** "ABS House", Plot No. W-116 (A),  
T.T.C. Industrial Area, MIDC Khairane,  
Navi Mumbai - 400 710.

**Tel:** +91 22 3526 4444  
**E-mail:** sales@absgroup.in  
**Web:** www.absgroup.in



## VECTOR MINI PUMP

The VECTOR MINI Pump is the latest addition to HYTORC's line of advanced hydraulic power packs. Based on industry-leading VECTOR pump technology, this single-port high performance pump is 25% smaller and 35% lighter, for unmatched maneuverability and portability.

### MANUAL AND FULLY AUTOMATIC



The VECTOR MINI Pump is available in both manual and fully automatic. Modular design allows the manual version to be upgraded to fully automatic as needed. The optional documentation feature allows complete job data capture for the entire bolting operation.

### TOOL PARAMETERS PRE-LOADED

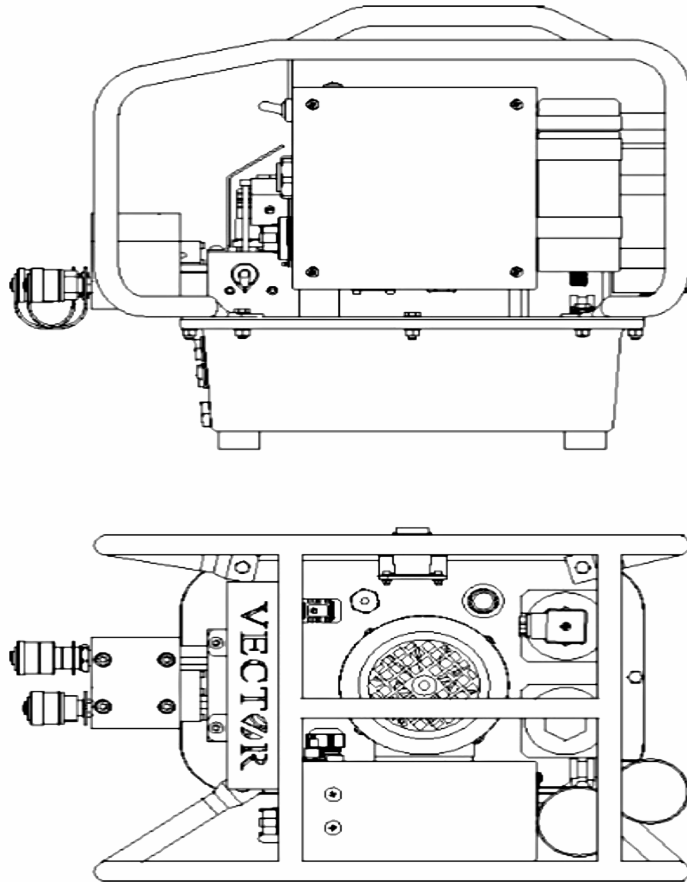


Tool parameters are pre-loaded, saving setup time and eliminating the need for separate torque charts. Simply select the tool and target torque on the pendant LCD screen. Easy-to-follow guided instructions minimize the chance of operator error.

### FAST 3-STAGE PUMP DESIGN



With its innovative 3-stage design, the VECTOR MINI Pump is the fastest compact pump on the market. Capable of producing up to 10,000 psi, it has the power to get the job done fast.



**PUMP SPECIFICATIONS AND FEATURES**

<b>Power</b>	115v and 230v	
<b>Data Recording</b>	Optional	
<b>Gauge</b>	(Not necessary but can be attached to the side of the valve block.)	
<b>Reservoir Capacity</b>	.7 gals. / 2.7 l	
<b>Stages</b>	3	
<b>Weight</b>	48 lbs. / 22 kg (Manual) 52 lbs. / 23 kg (Automatic)	
<b>Maximum Oil Flow Rate</b>	<b>50 Hz</b>	<b>60 Hz</b>
580 PSI 40 bar	250 cu. in./min. 4.05 l/min.	330 cu. in./min. 5.4 l/min.
<b>Middle Oil Flow Rate</b>	<b>50 Hz</b>	<b>60 Hz</b>
2,175 PSI 150 bar	80 cu. in./min. 1.3 l/min.	91 cu. in./min. 1.5 l/min.
<b>High Oil Flow Rate</b>	<b>50 Hz</b>	<b>60 Hz</b>
10,000 PSI 700 bar	26 cu. in./min. 0.4 l/min.	31 cu. in./min. 0.5 l/min.
<b>15' Remote control</b>	Yes	
<b>15' Twin Line Steel Braided Hydraulic Hose</b>	Yes	

**COMPLETE KIT CONTENTS**

- VECTOR MINI Pump
- 15' Twin Line Hose
- 1 gallon / 3.8 l of oil

HYTORC owns all content, copyrights, trademarks and patents in this document. © 2020 HYTORC. Any unauthorized use or distribution of any material from this document is strictly prohibited.



**ADVANCED BOLTING SOLUTIONS PVT. LTD.**

**HO:** "ABS House", Plot No. W-116 (A),  
T.T.C. Industrial Area, MIDC Khairane,  
Navi Mumbai - 400 710.

**Tel:** +91 22 3526 4444  
**E-mail:** sales@absgroup.in  
**Web:** www.absgroup.in



## VECTOR TORQUE & ANGLE PUMP

The HYTORC VECTOR TORQUE & ANGLE module makes the world's fastest fully-automatic hydraulic power system more versatile than ever. With its 4-stage high-flow design and gauge-free operation, simply select the HYTORC tool in use and input the desired angle; a single trigger pull will accurately and reliably execute precise Turn-of-Nut tightening. By eliminating the potential for human error, the VECTOR T&A greatly increases productivity; the available documentation feature allows complete job data capture for the entire bolting operation.

### TORQUE & ANGLE



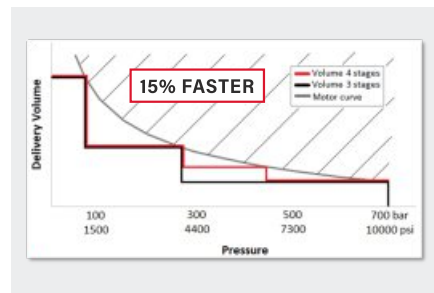
The VECTOR's modular design allows it to be upgraded to advanced Torque-and-Angle operation, providing accurate real-time degree of rotation measurement, taking the guess work out of the job.

### BOLTING DOCUMENTATION

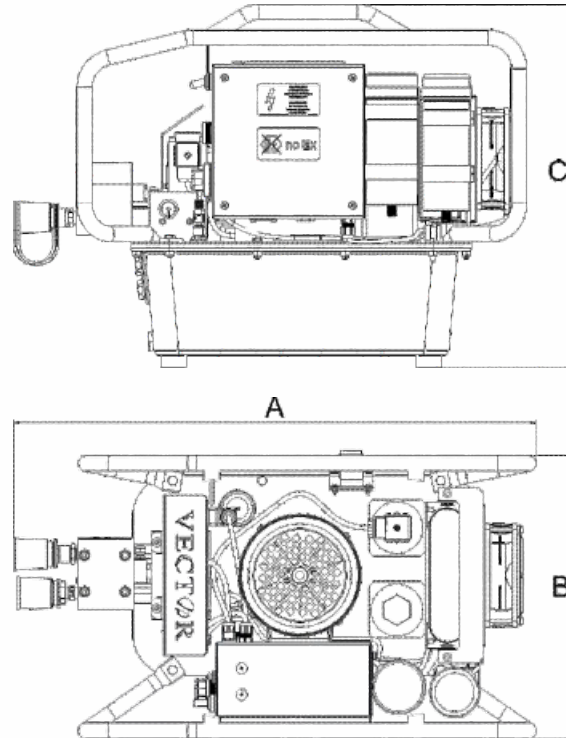


The VECTOR pump is capable of being upgraded with a documentation feature that allows all bolting data to be recorded. Easily transfer the data via USB to a computer. A report is created and five file types (.txt, .html, .csv, .json, .rpe) are sent as a single package. Keep accurate records for better quality assurance.

### FAST 4-STAGE PUMP DESIGN



By adding a 4th pressure stage in the 4,000 to 7,000 psi range the VECTOR pump increases the flow of oil to the tool. This allows the tool to cycle faster, resulting in a 15% time savings over old 3-stage pumps.



LEGEND: A = 21.0" (520 mm) B = 12.8" (326 mm) C = 16.8" (426 mm)

**PUMP SPECIFICATIONS AND FEATURES**

<b>Power</b>	<b>115V:</b> 1Ph 90-125 / 60Hz <b>230V:</b> 1Ph 200-230V / 50+60Hz <b>400V:</b> 3Ph 400-460		
<b>Data Recording</b>	Optional		
<b>Gauge</b>	Digital		
<b>Reservoir Capacity</b>	2 gals / 7.5 l		
<b>Stages</b>	4		
<b>Weight</b>	79 lbs. / 36 kg		
<b>15' Remote Control:</b> Yes	<b>Oil Cooler:</b> Yes		
<b>Ports</b>	1		
<b>Maximum Oil Flow Rate</b> 1,000 PSI 70 bar	<b>HY-V-115 (60 Hz)</b> 610 cu.in./min. 10.0 l/min.	<b>HY-V-230 (50Hz)</b> 549 cu.in./min. 9.0 l/min.	<b>HY-V-400</b> 549 cu.in./min. 9.0 l/min.
<b>Middle Oil Flow Rate</b> 3,900 PSI 270 bar	<b>60 Hz</b> 171 cu.in./min. 2.8 l/min.	<b>50 Hz</b> 147 cu.in./min. 2.4 l/min.	<b>3Ph 400-460</b> 147 cu.in./min. 2.4 l/min.
<b>Middle + Oil Flow Rate</b> 6,300 PSI 440 bar	<b>60 Hz</b> 110 cu.in./min. 1.8 l/min.	<b>50 Hz</b> 85 cu.in./min. 1.4 l/min.	<b>3Ph 400-460</b> 85 cu.in./min. 1.4 l/min.
<b>High Oil Flow Rate</b> 10,000 PSI 700 bar	<b>60 Hz</b> 67 cu.in./min. 1.1 l/min.	<b>50 Hz</b> 55 cu.in./min. 0.9 l/min.	<b>3Ph 400-460</b> 55 cu.in./min. 0.9 l/min.

**COMPLETE KIT CONTENTS**

- VECTOR Pump
- 15' Twin Line Hose
- 2 gallons / 7.5 l of oil

HYTORC owns all content, copyrights, trademarks and patents in this document. © 2020 HYTORC. Any unauthorized use or distribution of any material from this document is strictly prohibited.

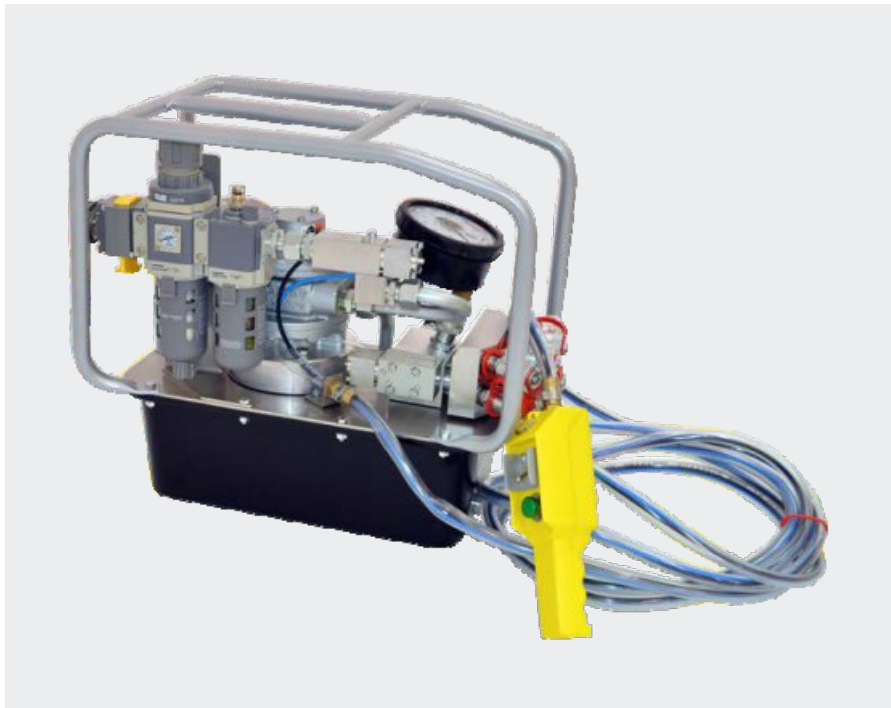


**ADVANCED BOLTING SOLUTIONS PVT. LTD.**

**HO:** "ABS House", Plot No. W-116 (A),  
T.T.C. Industrial Area, MIDC Khairane,  
Navi Mumbai - 400 710.

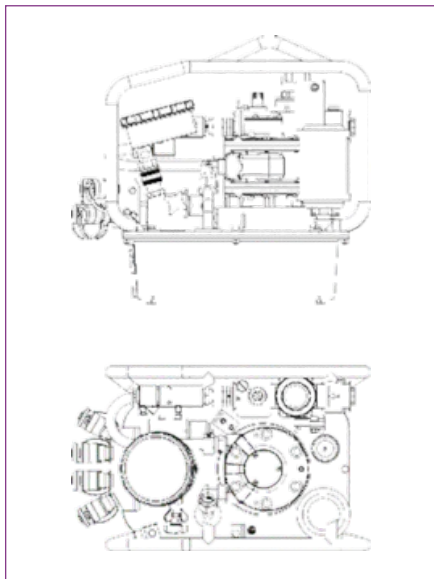
**Tel:** +91 22 3526 4444  
**E-mail:** sales@absgroup.in  
**Web:** www.absgroup.in





## HY-AIR

Our HY-AIR is a 4-stage pump designed to reduce cycle time and improve productivity. A compact design with an optional one or two-gallon reservoir alleviates weight restrictions and offers the operator efficient mobility. Simple controls make for short set-up times and the semi-automatic feature allows the operator to experience faster and easier bolting.



### PUMP SPECIFICATIONS AND FEATURES

<b>Power</b>	3,800 cu.in./sec. (62 l/sec.)
<b>Gauge</b>	0-10 k PSI (+/-1% Accuracy)
<b>Reservoir Capacity</b>	1.35 gals. / 5.1 l (2 gals. / 7.6 l tank optional for the HY-115)
<b>Stages</b>	4
<b>Weight</b>	46.3 lbs. / 21 kg
<b>Maximum Oil Flow Rate</b>	770 cu. in./min. / 13 l/min.
<b>Oil Cooler</b>	Yes
<b>Protective Caging</b>	Yes
<b>15' Remote Control</b>	Yes
<b>15' Twin Line Steel Braided Hydraulic Hose</b>	Yes



#### HYTORC MISSION STATEMENT

HYTORC'S MISSION IS TO OPTIMIZE SAFETY, QUALITY AND SCHEDULE IN INDUSTRIAL BOLTING THROUGH INNOVATIVE SOLUTIONS, AND AN UNYIELDING COMMITMENT TO WORLD-CLASS CUSTOMER SERVICE.

#### MOBILE SERVICES



Mobile service, maintenance, and on-site training to get you and your tools back on the job faster than ever before.

#### WORLDWIDE SERVICE



The HYTORC Universe is made up of over 1,000 trained bolting specialists to support your bolting needs in over 100 countries.

#### THE HYTORC STANDARD



With over 50 years of experience focused entirely on developing the highest quality industrial bolting systems, HYTORC remains committed to higher performance and service and offers superior technology, quality, and support.

**The World's Most Trusted Industrial Bolting Systems**

HYTORC owns all content, copyrights, trademarks and patents in this document. © 2021 HYTORC. Any unauthorized use or distribution of any material from this document is strictly prohibited.



#### **ADVANCED BOLTING SOLUTIONS PVT. LTD.**

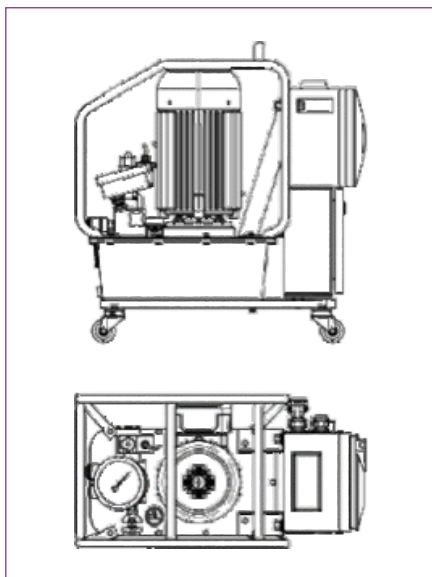
**HO:** "ABS House", Plot No. W-116 (A),  
T.T.C. Industrial Area, MIDC Khairane,  
Navi Mumbai - 400 710.

**Tel:** +91 22 3526 4444  
**E-mail:** sales@absgroup.in  
**Web:** www.absgroup.in



## HY-EX 3-STAGE - Explosion-Protected Electric Pumps

HYTORC HY-EX 3-STAGE Electric Pumps are the backbone of an intrinsically safe bolting system. The pump is licensed to EU-Directive 2014/34/EU (Atex 100a) class: 2014/34/EU. These pumps are equipped with a calibrated gauge with certificate and a 15-ft (5m) remote control. An optional 4-tool adapter is also available.



### PUMP SPECIFICATIONS AND FEATURES

<b>Power</b>	115v (20 Amp), 230v (9 Amp), 400v (2,5 Amp) <b>115V:</b> 1Ph 90-125 / 60Hz <b>230V:</b> 1Ph 200-230V / 50+60Hz <b>400V:</b> 3Ph 400-460	
<b>Gauge</b>	0-10 k PSI (+/-1% Accuracy)	
<b>Reservoir Capacity</b>	2 gals. / 7.5 l	
<b>Stages</b>	3	
<b>Weight</b>	~112 lbs / 51 kg - without oil (400v) ~157 lbs / 71 kg - without oil (115/230v)	
<b>Maximum Oil Flow Rate</b> 1,000 PSI 70 bar	<b>50 Hz</b> 510 cu.in./min. 8,0 l/min.	<b>60 Hz</b> 620 cu.in./min. 10 l/min.
<b>Middle Oil Flow Rate</b> 4,000 PSI 300 bar	<b>50 Hz</b> 100 cu.in./min. 1,6 l/min.	<b>60 Hz</b> 120 cu.in./min. 2,0 l/min.
<b>High Oil Flow Rate</b> 10,000 PSI 700 bar	<b>50 Hz</b> 55 cu.in./min. 0,9 l/min.	<b>60 Hz</b> 65 cu.in./min. 1,1 l/min.
<b>Oil Cooler</b>	No	



#### HYTORC MISSION STATEMENT

HYTORC'S MISSION IS TO OPTIMIZE SAFETY, QUALITY AND SCHEDULE IN INDUSTRIAL BOLTING THROUGH INNOVATIVE SOLUTIONS, AND AN UNYIELDING COMMITMENT TO WORLD-CLASS CUSTOMER SERVICE.

#### MOBILE SERVICES



Mobile service, maintenance, and on-site training to get you and your tools back on the job faster than ever before.

#### WORLDWIDE SERVICE



The HYTORC Universe is made up of over 1,000 trained bolting specialists to support your bolting needs in over 100 countries.

#### THE HYTORC STANDARD



With over 50 years of experience focused entirely on developing the highest quality industrial bolting systems, HYTORC remains committed to higher performance and service and offers superior technology, quality, and support.

**The World's Most Trusted Industrial Bolting Systems**

HYTORC owns all content, copyrights, trademarks and patents in this document. © 2021 HYTORC. Any unauthorized use or distribution of any material from this document is strictly prohibited.



#### ADVANCED BOLTING SOLUTIONS PVT. LTD.

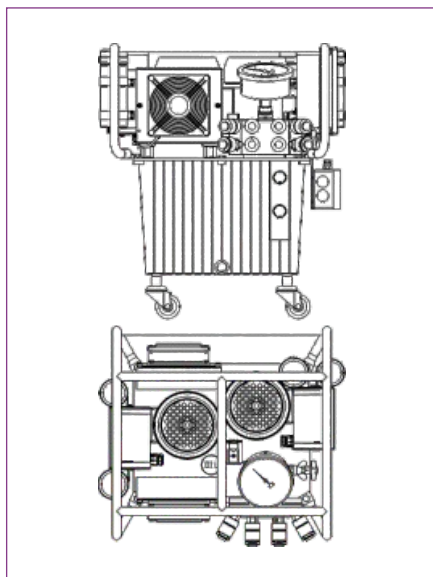
HO: "ABS House", Plot No. W-116 (A),  
T.T.C. Industrial Area, MIDC Khairane,  
Navi Mumbai - 400 710.

Tel: +91 22 3526 4444  
E-mail: sales@absgroup.in  
Web: www.absgroup.in



## HY-TWIN 230

This high-powered, twin-motor, 4-stage pump provides twice the speed and oil flow of any other available system. Ideal for large hydraulic or multi-tool systems, the HY-TWIN 230 delivers high power for large torque wrenches (10,000 ft.-lbs. and up) without compromising speed. The five-gallon reservoir provides enough oil to power up to four large tools at once, and the built-in casters allow for increased mobility.



### PUMP SPECIFICATIONS AND FEATURES

<b>Power</b>	230v (30 Amp)
<b>Gauge</b>	0-10 k PSI (+/-1% Accuracy)
<b>Reservoir Capacity (Tank optional)</b>	5 gals. / 19 l
<b>Stages</b>	4
<b>Weight</b>	112 lbs. / 51 kg
<b>Maximum Oil Flow Rate</b>	1,480 cu. in./min. / 24 l/min.
<b>Oil Cooler</b>	Yes
<b>Protective Caging</b>	Yes
<b>15' Remote Control</b>	Yes
<b>15' Twin Line Steel Braided Hydraulic Hose</b>	Yes



**HYTORC MISSION STATEMENT**

HYTORC'S MISSION IS TO OPTIMIZE SAFETY, QUALITY AND SCHEDULE IN INDUSTRIAL BOLTING THROUGH INNOVATIVE SOLUTIONS, AND AN UNYIELDING COMMITMENT TO WORLD-CLASS CUSTOMER SERVICE.

**MOBILE SERVICES**



Mobile service, maintenance, and on-site training to get you and your tools back on the job faster than ever before.

**WORLDWIDE SERVICE**



The HYTORC Universe is made up of over 1,000 trained bolting specialists to support your bolting needs in over 100 countries.

**THE HYTORC STANDARD**



With over 50 years of experience focused entirely on developing the highest quality industrial bolting systems, HYTORC remains committed to higher performance and service and offers superior technology, quality, and support.



HYTORC owns all content, copyrights, trademarks and patents in this document. © 2020 HYTORC. Any unauthorized use or distribution of any material from this document is strictly prohibited.



**ADVANCED BOLTING SOLUTIONS PVT. LTD.**

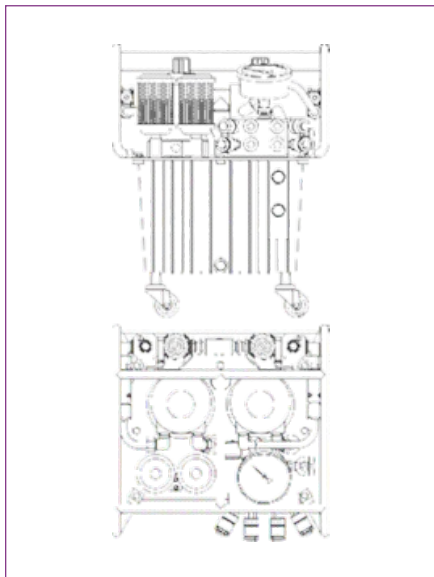
HO: "ABS House", Plot No. W-116 (A), T.T.C. Industrial Area, MIDC Khairane, Navi Mumbai - 400 710.

Tel: +91 22 3526 4444  
E-mail: sales@absgroup.in  
Web: www.absgroup.in



## HY-TWIN AIR

The HY-TWIN AIR hydraulic pump gives the operator the power they need to utilize 10,000 ft. lb. Fitted with a five-gallon reservoir this pump will have enough oil to power up to four large tools at once. Portability is no longer an issue because our HY-TWIN pumps come with wheel casters that ensure you can roll this pump from application to application giving you the mobility you've come to expect when using HYTORC Hydraulic Power Systems.



### PUMP SPECIFICATIONS AND FEATURES

<b>Air Consumption</b>	7,200 cu.in./sec. (118 l/sec.)
<b>Gauge</b>	0-10 k PSI (+/-1% Accuracy)
<b>Reservoir Capacity (Tank optional)</b>	5 gals. / 19 l
<b>Stages</b>	3
<b>Weight</b>	98 lbs. / 44.4 kg
<b>Maximum Oil Flow Rate</b>	1,500 cu. in./min. / 25 l/min.
<b>Oil Cooler</b>	Yes
<b>Protective Caging</b>	Yes
<b>15' Remote Control</b>	Yes
<b>15' Twin Line Steel Braided Hydraulic Hose</b>	Yes



#### HYTORC MISSION STATEMENT

HYTORC'S MISSION IS TO OPTIMIZE SAFETY, QUALITY AND SCHEDULE IN INDUSTRIAL BOLTING THROUGH INNOVATIVE SOLUTIONS, AND AN UNYIELDING COMMITMENT TO WORLD-CLASS CUSTOMER SERVICE.

#### MOBILE SERVICES



Mobile service, maintenance, and on-site training to get you and your tools back on the job faster than ever before.

#### WORLDWIDE SERVICE



The HYTORC Universe is made up of over 1,000 trained bolting specialists to support your bolting needs in over 100 countries.

#### THE HYTORC STANDARD



With over 50 years of experience focused entirely on developing the highest quality industrial bolting systems, HYTORC remains committed to higher performance and service and offers superior technology, quality, and support.

**The World's Most Trusted Industrial Bolting Systems**

HYTORC owns all content, copyrights, trademarks and patents in this document. © 2021 HYTORC. Any unauthorized use or distribution of any material from this document is strictly prohibited.



#### ADVANCED BOLTING SOLUTIONS PVT. LTD.

HO: "ABS House", Plot No. W-116 (A),  
T.T.C. Industrial Area, MIDC Khairane,  
Navi Mumbai - 400 710.

Tel: +91 22 3526 4444  
E-mail: sales@absgroup.in  
Web: www.absgroup.in





## HY-115/HY-230/HY-400 PUMPS

HYTORC's HY-Series of electrically operated hydraulic power packs are fast, reliable, efficient and economical. The HY-Series of 4-stage pumps will outperform any standard pump on the market. These hydraulic pumps operate at a very quiet ~80 dB. All pumps come equipped with an oil cooler, making overheating a thing of the past. Simple controls make for short set-up times. An optional Hour Meter is available to better track run times.

### HEAVY DUTY REMOTE



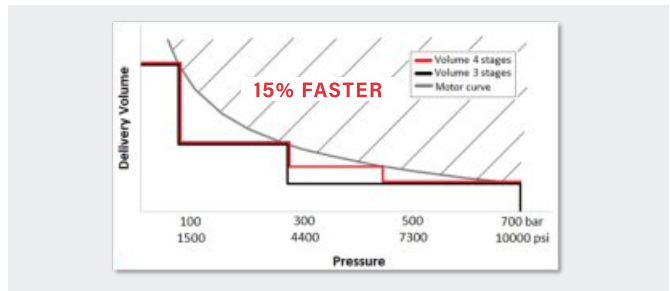
The HY-Series Pump has a heavy duty remote to handle the harshest conditions. The simple 2-button setup makes operations user friendly

### LED LIGHT SYSTEM (HY-115)

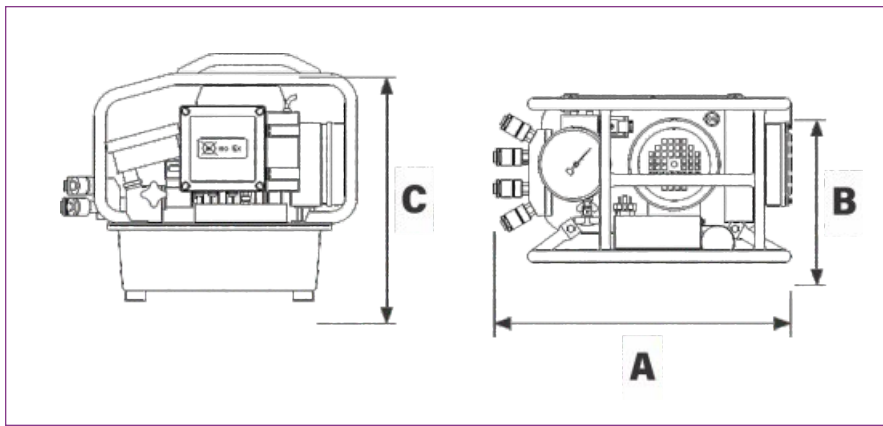


The HY-115 Pump is equipped with three-colored (3) LED lights integrated into the electric control box for system monitoring. The LED lights let you know that you are operating within voltage and temperature limits.

### FAST 4-STAGE PUMP DESIGN



By adding a 4th pressure stage in the 4,000 to 7,000 psi range the HY-115/230 Pump increases the flow of oil to the tool. Allowing the tool to cycle faster and resulting in a 15% time savings over old 3-stage pumps.



PUMP DIMENSIONS	
	HY-115/230
A	18.8 in. 480 mm
B	11.8 in. 280 mm
C	16.7 in. 425 mm

**PUMP SPECIFICATIONS AND FEATURES**

<b>Power</b>	115v (17 Amp) / 230v (9 Amp) / 400v (6 Amp)		
<b>Gauge</b>	0-10 k PSI (+/-1% Accuracy)		
<b>Reservoir Capacity</b>	2 gals. / 7.6 l tank		
<b>Stages</b>	4		
<b>Weight</b>	-60 lbs. / 27 kg		
<b>Hour Meter</b>	Optional		
<b>15' Remote Control</b>	Yes		
<b>Oil Cooler</b>	Yes		
<b>Number of ports</b>	1 port (ECONO) or 4 port manifold		
<b>Maximum Oil Flow</b> 1,000 PSI 70 bar	<b>HY-115 (60 Hz)</b> 610 cu.in/min. 10,0 l/min.	<b>HY-230 (50 Hz)</b> 549 cu.in/min. 9,0 l/min.	<b>HY-400 (50 Hz)</b> 549 cu.in/min. 9,0 l/min.
<b>Middle Pressure Oil Flow</b> 3,900 PSI 270 bar	<b>HY-115 (60 Hz)</b> 171 cu.in/min. 2,8 l/min.	<b>HY-230 (50 Hz)</b> 147 cu.in/min. 2,4 l/min.	<b>HY-400 (50 Hz)</b> 147 cu.in/min. 2,4 l/min.
<b>Middle Pressure + Oil Flow</b> 6,300 PSI 440 bar	<b>HY-115 (60 Hz)</b> 110 cu.in/min. 1,8 l/min.	<b>HY-230 (50 Hz)</b> 85 cu.in/min. 1,4 l/min.	<b>HY-400 (50 Hz)</b> 85 cu.in/min. 1,4 l/min.
<b>High Pressure Oil Flow</b> 10,000 PSI 700 bar	<b>HY-115 (60 Hz)</b> 67 cu.in/min. 1,1 l/min.	<b>HY-230 (50 Hz)</b> 55 cu.in/min. 0,9 l/min.	<b>HY-400 (50 Hz)</b> 55 cu.in/min. 0,9 l/min.



The World's Most Trusted Industrial Bolting Systems



**ADVANCED BOLTING SOLUTIONS PVT. LTD.**

**HO:** "ABS House", Plot No. W-116 (A),  
T.T.C. Industrial Area, MIDC Khairane,  
Navi Mumbai - 400 710.

**Tel:** +91 22 3526 4444  
**E-mail:** sales@absgroup.in  
**Web:** www.absgroup.in